

The L40WP3 Series offers an economical solution for outdoor LED emergency lighting. Multi-voltage rating for easy unit pairing.

FEATURES

- Attractive specification-grade aluminum design
- 1.0 watt per head or 1.5 watt high output per head
- Adjustable LED lamp heads
- Multi-voltage rated for 3.6V, 6V, 9.6V & 12V DC
- Universal mounting adapter plate included
- Suitable for wall or ceiling mount

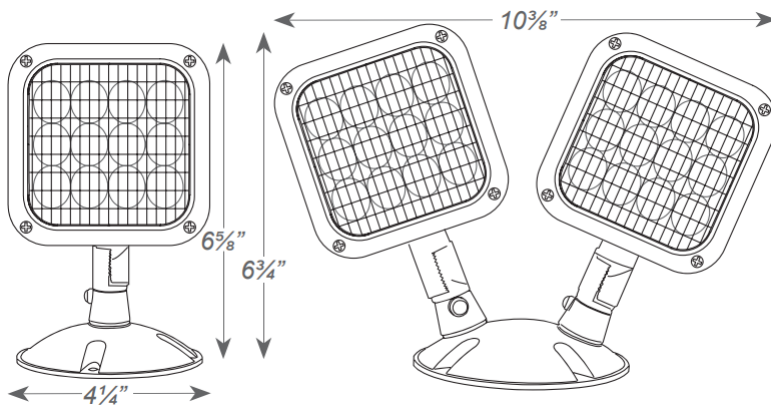
WARRANTY

- Five year warranty



L40WP3

Sealed and gasketed die-cast aluminum remote head



Options:

- * **HO** - High Output (1.5W)
- * **POL** - Polycarbonate Housing

Series	Heads	Color	Options
L40WP3	(blank) = Single Head	G = Gray	HO = High Output (1.5W)
	DH = Double Head	B = Black	