

The DEDGLO is a specification grade edge-lit exit sign with remote capability available.

FEATURES

- 120/277 VAC Operation
- Maximum Input Rating (120 or 277VAC) 120 VAC 3 Watts Standard
277 VAC 3 Watts Standard
- Light-Emitting Diodes — 25+ Year Life
- Illuminates with Uniform Color and Brightness
- Architectural Grade Clean, Contemporary Styling
- Ceiling, End or Back Mount
- Surface or Recessed Housing (Recessed Only on Ceiling Mount Units)
- Field Applied Directional Indicators
- Aluminum Housing and Trim Plate
- Maintenance Free Sealed Nickel Cadmium Battery
- Test Switch
- UL Listed
- CEC Listed



DEDGLO

The DEDGLO offers a specification grade edgelit with optional remote capability.

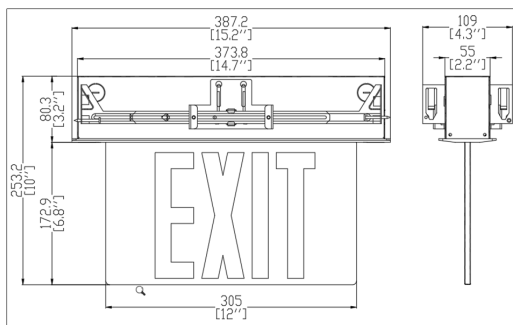
WARRANTY

5 Year Warranty

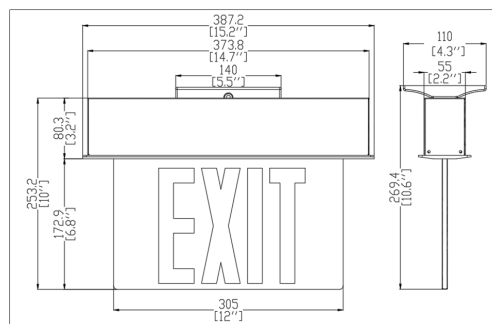


Options:

- * **RC** - Remote Capable (3.6V, 2.8W)
- * **REC** - Recessed Housing
- * **U** - Universal Single and Double Face



Recessed Dimensions



Surface Dimensions

Series	Faces	Trim	Letter Color	Background	Mounting Type	Options
DEDGLO	1 = Single	A = Aluminum	R = Red	Blank = Clear (Standard on Single Face)	S = Surface	-RC = Remote Capable
	2 = Double		G = Green	MB = Mirrored (Standard on Double Face)	R = Recessed	-AC = AC Only
				W = White (Special Order)		